

Ultra-small wireless Bluetooth pressure sensor XY-PT151

Typical Feature

- Compact size, maximum height 82.5mm
- Optional accuracy: 0.1% 0.25% 0.5%
- Bluetooth transmission, the maximum distance is over 20 meters
- Multiple functions: unit switching, zero reset, adjustable sampling rate
- Powered by lithium battery, battery life up to 12 months, easy to replace
- With data viewing and EXCEL data export function
- Support Bluetooth configuration and cooperate with Bluetooth gateway to configure remote parameters, reducing maintenance costs



Brief Introduction

XY-PT151 series ultra-small wireless Bluetooth pressure transmitter adopts ultra-low power Bluetooth transmission module, high-precision pressure sensor and digital conditioning circuit. It is compact and easy to use. It is used for pressure monitoring occasions where it is inconvenient to wire on site. The product supports multiple functions and supports mobile phone viewing and data export. You can download the Smart Gauges APP to connect to the wireless sensor with the mobile phone Bluetooth to view data and parameter configuration at close range. You can choose to use a Bluetooth gateway, which can be transferred to the cloud through the gateway; or use Ethernet to transmit to the local server, or RS485 to transmit to the PLC, etc.

Suggested Applications

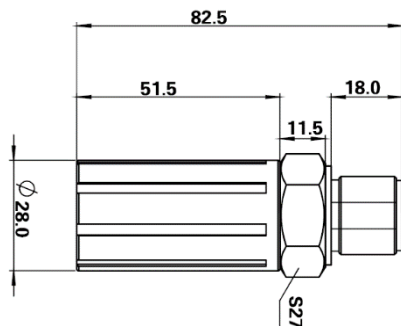
- + Water works
- + Sewage treatment plants
- + Building materials & light industry
- + Mechanical Manufacture
- + Other application that require battery power
- + Machine building and automation
- + Heating, Ventilation and Air Handling
- + Industrial and medical gases
- + Mobile Working Machines
- + Refrigeration
- + Semiconductor Industry
- + Food and Beverage
- + Oil and Gas (Up-, Mid- and Downstream)
- + Petrochemical Industry
- + Chemical Industry
- + Pharmaceuticals and Biotechnology
- + Power Generation
- + Water and Waste Water
- + Basic Materials
- + Fire Protection
- + Agricultural Irrigation

More details for XY-PT151, please contact us.

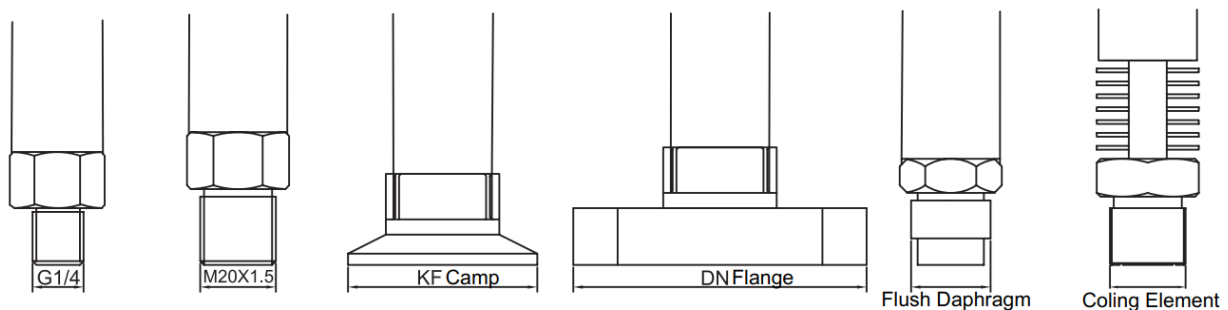
Specification

Model	XY-PT151
General Pressure Range	-0.1...-0.01~0...0.1...1...1.6...200MPa
Pressure Type	Gauge Pressure Test
Dimension	Diameter Φ28
Overload Capacity	< 10MPa 200%; ≥10MPa 150%
Measurement Medium	Gas or Liquid with Compatibility of SS 304
Output Single	Wireless Bluetooth
Power Supply	CR 2032 button battery (standard)
Accuracy	0.5%FS; 0.25% and 0.1%
Long-Term Stability/Year	Typical: ±0.25% FS/Year
Standby power consumption	< 5uA
Operation Temperature	-20 ~ 65°C
Compensation Temperature	-40 ~ 80°C
Transmission distance	> 20meter
Joint connection material	SS304
Shell material	PA66

Dimension(mm)



Mechanical Connection(mm)



How To Order

XY-	PG	280	E	P	60M	1	P2	J	M3	B1	T1	L
	Category	Type	Setup	Pressure Connection	Pressure Range	Accuracy	Power	Output	Thread	Electrical Connection	Medium Temperature	Additional
PG	Pressure Gauge	200 High Accuracy	E Lower Mount	None General Thread	XX (0-XXPa)	1 0.40%	P0 Battery	B RS485	M1 M20x1.5	B Cable Outlet	T1 -5~40°C	LC LCD Display
		210 High Accuracy Pressure&Temperature	F Panel Mount	P Diaphragm Seals	XB (0-XXBar)	2 0.20%	P2 24V	B Bluetooth	M2 G1/4	C Circular Connector	T2 -20~80°C	LE LED Display
		210 Bluetooth High Accuracy Pressure&Temperature	B Bluetooth	DP Differential Pressure	XM (0-XXPa)	3 0.10%	P3 Type-C	B APP	M3 G1/2	C Customized	T3 -20~65°C	EE Explosion-Proof
		260 60mm Dial Size	S Wireless	RF Ramp	XS (0-XXPa)	4 0.5%	R4 220V	A 4~20mA	M4 1/2NPT		T4 Customized	CC Customized
		270 Explosion-Proof	C Break Record	DN Range	XS (0-XXPa)	5 0.2%	PS 380V	J1 Relay	M5 1/4NPT			
		280 80mm Dial Size 1 LED Display	V Vacuum Switch	9999 Customized	OC Customized	6 0.05%	PG 12V	J2 Dual Relay	M7 ZG1/4			
		291 330° Rotated Dial	W Water Pump Switch			8 Customized	P9 Customized	N NPN/PPV	M9 Customized			
		300 100mm Dial Size	A APP									
		320 80mm Dial Size 1 LED Display										
		350 Digital Remote-Transmission										
		655 Contact 60mm Dial Size										
		825 Contact 80mm Dial Size										
925 Contact 90mm Dial Size												
PS	Pressure Switch	628 60mm Dial Size										
		828 80mm Dial Size										
		928 100mm Dial Size										
		650 Switch Box with Plastic Shell										
PC	Pressure Control	600 60mm Dial Size										
		800 80mm Dial Size										
		900 100mm Dial Size										

Remark: 1. This form is for whole Pressure Measurement and Pressure Control products, please read Product Date Sheet to get reference informations
2. If you may not find right information in this form, Please contact us to get future details

Shanghai Xuan Precision Technology Co., Ltd.

Address: No. 969, Yunshan Road Pudong District Shanghai City China

Tel: +86 21 59241315

Email: sales@xvyanprecision.com

Website: www.xvyanprecision.com

Product Manager: Tyler Tou

Cell: +86 189 1797 0680

Email: Tylertou@Xuyanpercision.com