

XY-PS853 Electronic Pressure Switches & pressure sensor

Typical Feature

- 304 stainless steel shell, IP65 protection
- Double stage 330° rotating , quickly adjust the OLED screen direction
- Accuracy level 0.5%FS
- Multiple output modes optional: 4-20mA, PNP/NPN
- Dual indicator and easy setting
- Data display or curve display



Brief Introduction

XY-PS853 is an electronic pressure switch and pressure sensor with an OLED screen, which is suitable for hydraulic or air environments. It was made of 304 stainless steel case ,a plastic case head and electronic system. It has IP65 protection level, it helps we use it under harsh environments.

This pressure switch (pressure sensor) was designed a universal threaded joint. It is be used to high pressure hydraulic environments; it is with an ED sealing method to keep system with good long-term stability. Double stage 330° rotating, quickly adjust the OLED screen direction, thus we adjust the screen orientation to ensure good viewing angles in different installation positions.

This pressure switch (pressure sensor) is equipped with three function buttons. Users can quickly set hysteresis value, upper and lower limit data, data display or curve display. Attached one meter length 5-core M12 aviation plug line, users can directly replace the old mechanical pressure switch easily.

Suggested Applications

- Hydraulic and Pneumatic System
- Machine tool drive monitoring
- Electromechanical Equipment Automation
- Automated Machinery
- Customized Applications

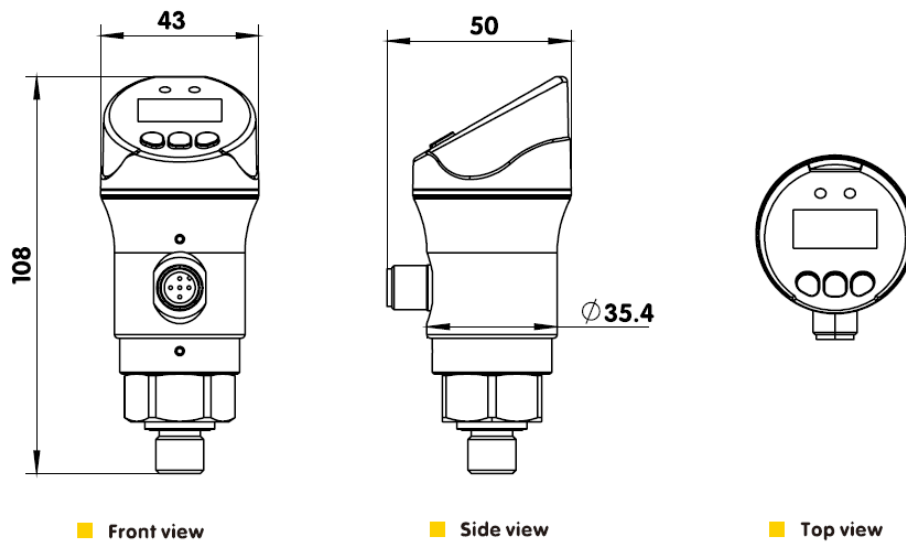
More details for XY-PS853, please contact us.

Specification

Model	XY-PS853
Gauge Pressure Range	0-0.1...1.0...60 MPa.
Dimension	Diameter Φ43
Overload Capacity	≤10MPa 200%; >10MPa 150%
Destroying Pressure	≤10MPa 300%; >10MPa 200%
Screen Display Mode	OLED; Resolution 128*64
Measurement Medium	Gas or Liquid with Compatibility of SS 304
Integrated Accuracy	0.5%FS
Power Supply	12~28V

Signal Output	Output 1: NPN Or PNP (switchable) Output 2: NPN or PNP (switchable) Other outputs: 4~20mA
Load current	100mA
Operation Temperature	-20~65°C
connections	M12 Plug
Electrical protection	Anti-reverse connection protection Anti-electromagnetic interference
Threaded port	M20x1.5, G1/4, NPT1/4 or customized thread
Material	Interface material SS304; Diaphragm material SS316L
IP Protection Class	IP65

Dimension(mm)



How To Order

XY-	PG	280	E	P	60M	1	P2	J	M3	B1	T1	L											
Category	Type	Setup	Pressure Connection	Pressure Range	Accuracy	Power	Output	Thread	Electrical Connection	Medium Temperature	Additional												
PG	Pressure Gauge	200	High Accuracy	E Lower Mount	None	General Thread	XX (0-XXPa)	1	0.40%	P0	Battery	B RS485	M1	M20x1.5	B Cable Outlet	T1	5~40°C	LC	LED Display				
		210	High Accuracy Pressure&Temperature	F Panel Mount	P	Diaphragm Seals	XB (0-XXbar)	2	0.20%	P2	24V	B	Bluetooth	M2	G1/4	C	Circular Connector	T2	-20~80°C	LE	LED Display		
		210	Bluetooth High Accuracy Pressure&Temperature	B	Bluetooth	DP	Differential Pressure	XM (0-XXMPa)	3	0.10%	P3	Type-C	P	IAPP	M3	G1/2	CC	Customized	T3	-20~65°C	TE	Explosion-Proof	
		260	80mm Dial Size	C	Wireless	WF	Comp.	XXS (0-XXPS)	4	0.50%	P4	220V	A	1/2"Brk	M4	1/2"NPT			T4	Customized	TD	3-LED	
		270	Explosion-Proof	D	Explosion-Proof	DN	Flange	XXS (0-XXPa)	5	0.25%	P5	380V	Q	Relay	M5	1/4"NPT							
		280	80mm Dial Size 1 LCD Display	V	Vacuum Switch	9999	Customized	CC	Customized	6	0.05%	P6	12V	Z	Dual Relay	M7	ZG1/4						
		281	330° Rotated dial	W	Water Pump Switch																		
		300	100mm Dial Size	X	IAPP																		
		380	80mm Dial Size LED Display																				
		520	Digital Remote-transmission																				
PS	Pressure Switch	628	80mm Dial Size																				
		828	80mm Dial Size																				
		928	100mm Dial Size																				
		650	Switch Box with Plastic Shell																				
		600	Switch Box with Full Metal Shell																				
PC	Pressure Control	600	80mm Dial Size																				
		800	80mm Dial Size																				
		800	100mm Dial Size																				

Remark: 1. This form is for whole Pressure Measurement and Pressure Control products, please read Product Date Sheet to get reference informations
2. If you may not find right information in this form, Please contact us to get future details

Shanghai XuYan Precision Technology Co., Ltd.

Address: No. 969, YunHan Road Pudong District Shanghai City China

Tel: +86 21 59241315

Email: sales@xvyanprecision.com

Website: www.xvyanprecision.com

Product Manager: Tyler Tou

Cell: +86 189 1797 0680

Email: ttao@Xuyanpercision.com