

Digital Pressure Gauge XY-PG211

Typical Feature

- Cast Zinc Stainless Steel shell, dial diameter 85mm
- Dial can be rotated 330°
- IP65 protection and IP67 optional;
- Accuracy level: Pressure 0.05%(optional); 0.1%;0.5%; Temperature 0.5°C
- Can record 270,000 pieces of data, and the data can be exported through a computer or Bluetooth App
- Powered by 3 pcs AA Battery power, type-C external power supply
- Set up by Bluetooth APP
- 15 pressure multiunit switching



Brief Introduction

XY-PG211 high-precision digital pressure gauge is a high-precision pressure gauge that can rotate 330°. It uses split-screen display on the main screen and the secondary screen. The main screen displays real-time pressure, and the split-screen displays the ambient temperature, maximum pressure, minimum pressure, and range. Range and other reference data.

XY-PG211 has powerful functions and can switch between multiple common pressure unit displays. The pressure collection rate is adjustable, and the collected data can be recorded and exported through a type-c data cable or Bluetooth function. Various parameters can be set through Bluetooth function or buttons. The device comes standard with type-c external power supply, optional type-c external power supply + 3 AAA batteries or type-c external power supply and rechargeable battery power supply, multiple power supply modes, more convenient to use long work time.

Suggested Applications

- Pressure Laboratory
- Instrumentation Supporting
- Electromechanical Equipment Automation
- Engineering Machinery
- Customized Applications

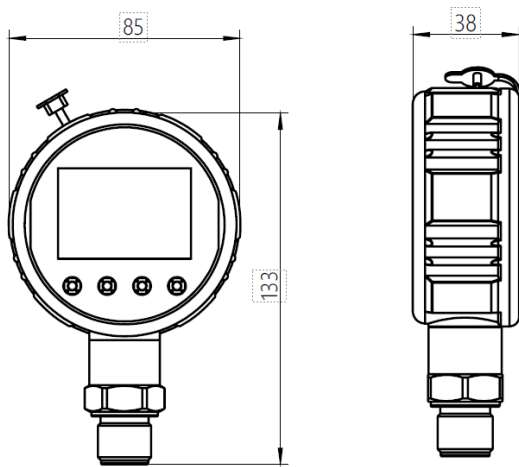
More details for XY-PG211, please contact us.

Specification

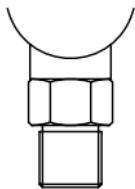
Model	XY-PG211
Pressure Range	-0.1~0~2~0.1~1~10~70MPa, can customized range
Dimension	Diameter Φ85
Overload Capacity	150%
Measurement Medium	Gas or Liquid with Compatibility of SS 304
Accuracy Level	0.05%FS ;0.1%FS; 0.5%FS

Long-Term Stability/Year	Better than 0.05% FS;
Operation Temperature	-10~60°C; others temperature are customized
Compensation Temperature	0~40°C
Sample Frequency	0.1-10 times/Second
Display	5 digits LCD, green backlit display
Data Record	10 records, each record can hold up to 27,000 data, totaling 270,000 data
Power Supply	3 cell 1.5V AA Battery or Type-C
Protection Class	IP65 protection and IP67 optional
Connection Joint	M20*1.5; G1/2 G1/4 or customized

Dimension(mm)



Mechanical Connection(mm)



Thread

How To Order

XY-	PG	280	E	P	60M	1	P2	J	M3	B1	T1	L	
	Category	Type	Setup	Pressure Connection	Pressure Range	Accuracy	Power	Output	Thread	Electrical Connection	Medium Temperature	Additional	
PG	Pressure Gauge	200 High Accuracy	E Lowest Mount	None General Thread	XX (0-XXPa)	1 0.40%	P0 Battery	B RS485	M1 M20*1.5	B Cable Outlet	T1 5~47°C	LC CD Display	
		210 High Accuracy Pressure&Temperature	Z Panel Mount	P Diaphragm Seals	XB (0-XXBar)	2 0.20%	P2 24V	B Bluetooth	M2 G1/4	C Circular Connector	T2 -20~80°C	LE LED Display	
		210 Bluetooth High Accuracy Pressure&Temperature	B Bluetooth	DP Differential Pressure	XM (0-XXMPa)	3 0.10%	P3 Type-C	P APP	M3 G1/2	CC Customized	T3 -20~65°C	Explosion-Proof	
		260 60mm Dial Size	G Wireless	XF Gamp	XR (0-XXS)	4 0.50%	P4 220V	A 4-20mA	M4 1/2NPT				
		270 Explosion-Proof	C Scale Record	DN Phase	XX (0-XXPa)	5 0.25%	P5 500V	R1 Relay	M5 1/4NPT				
		280 80mm Dial Size LCD Display	W Vacuum Switch	9999 Customized	CV Customized	6 0.05%	P6 12V	I2 Dual Relay	M7 7/16				
		281 330° Rotated dial	W Water Pump Switch			9 Customized	P9 Customized	CC Customized	M9 Customized				
		300 100mm Dial Size	A APP										
		380 80mm Dial Size LED Display											
		560 Digital Remote-transmission											
		675 Contact 60mm Dial Size											
		825 Contact 80mm Dial Size											
		925 Contact 90mm Dial Size											
		PS	Pressure Switch	628 60mm Dial Size									
828 80mm Dial Size													
928 100mm Dial Size													
650 Switch Box with Plastic Shell													
600 Switch Box with Full Metal Shell													
700 Mechanical													
PC	Pressure Control	600 60mm Dial Size											
		800 80mm Dial Size											
		900 100mm Dial Size											

Remark: 1. This form is for whole Pressure Measurement and Pressure Control products, please read Product Data Sheet to get reference informations
2. If you may not find right information in this form, Please contact us to get future details

Shanghai XuYan Precision Technology Co., Ltd.

Address: No. 969, YunHan Road Pudong District Shanghai City China

Tel: +86 21 59241315

Email: sales@xvyanprecision.com

Website: www.xvyanprecision.com

Product Manager: Tyler Tou

Cell: +86 189 1797 0680

Email: tylertao@Xuyanpercision.com