

Digital Pressure Gauge XY-PG211

Typical Feature

- Cast Zinc Stainless Steel shell, dial diameter 85mm
- Dial can be rotated 330°
- IP65 protection and IP67 optional;
- Accuracy level: Pressure 0.05%(optional); 0.1%;0.5%; Temperature 0.5°C
- Can record 270,000 pieces of data, and the data can be exported through a computer or Bluetooth App
- Powered by 3 pcs AA Battery power, type-C external power supply
- Set up by Bluetooth APP
- 15 pressure multiunit switching



Brief Introduction

XY-PG211 high-precision digital pressure gauge is a high-precision pressure gauge that can rotate 330°. It uses split-screen display on the main screen and the secondary screen. The main screen displays real-time pressure, and the split-screen displays the ambient temperature, maximum pressure, minimum pressure, and range. Range and other reference data.

XY-PG211 has powerful functions and can switch between multiple common pressure unit displays. The pressure collection rate is adjustable, and the collected data can be recorded and exported through a type-c data cable or Bluetooth function. Various parameters can be set through Bluetooth function or buttons. The device comes standard with type-c external power supply, optional type-c external power supply + 3 AAA batteries or type-c external power supply and rechargeable battery power supply, multiple power supply modes, more convenient to use long work time.

Suggested Applications

- Pressure Laboratory
- Instrumentation Supporting
- Electromechanical Equipment Automation
- Engineering Machinery
- Customized Applications

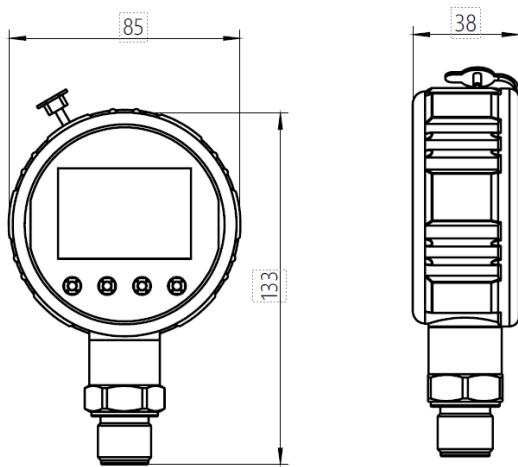
More details for XY-PG211, please contact us.

Specification

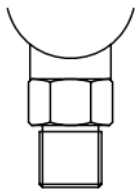
Model	XY-PG211
Pressure Range	-0.1~0~2~0.1~1~10~70MPa, can customized range
Dimension	Diameter Φ85
Overload Capacity	150%
Measurement Medium	Gas or Liquid with Compatibility of SS 304
Accuracy Level	0.05%FS ;0.1%FS; 0.5%FS

Long-Term Stability/Year	Better than 0.05% FS;
Operation Temperature	-10~60°C; others temperature are customized
Compensation Temperature	0~40°C
Sample Frequency	0.1-10 times/Second
Display	5 digits LCD, green backlit display
Data Record	10 records, each record can hold up to 27,000 data, totaling 270,000 data
Power Supply	3 cell 1.5V AA Battery or Type-C
Protection Class	IP65 protection and IP67 optional
Connection Joint	M20*1.5; G1/2 G1/4 or customized

Dimension(mm)



Mechanical Connection(mm)



Thread

How To Order

XY-	PG	280	E	P	60M	1	P2	J	M3	B1	T1	L										
Category	Type	Setup	Pressure Connection	Pressure Range	Accuracy	Power	Output	Thread	Electrical Connection	Medium Temperature	Additional											
PG	Pressure Gauge	200	High Accuracy	E	None	XX (0-XXPa)	1	0.40%	P0	Battery	R	RS485	M1	M20*1.5	B	Cable Outlet	T1	5~40°C	LC	CD Display		
		210	High Accuracy Pressure&Temperature	Z	Panel Mount	P	Diaphragm Seals	XB (0-XXBar)	2	0.20%	P2	24V	B	Bluetooth	M2	G1/4	C	Circular Connector	T2	-20~80°C	LE	LED Display
		210	Bluetooth High Accuracy Pressure&Temperature	B	Bluetooth	DP	Differential Pressure	XM (0-XXMPa)	3	0.10%	P3	Type-C	P	APP	M3	G1/2	CC	Customized	T3	-20~65°C	T	Explosion-Proof
		260	60mm Dial Size	G	Wireless	XF	Gauss	XPR (0-XXPSI)	4	0.50%	P4	220V	A	4-20mA	M4	1/2NPT			T4	Customized		
		270	Explosion-Proof	C	Scale Record	DN	Flange	Xea (0-XXPa)	5	0.25%	P5	240V	H	Relay	M5	1/4NPT						
		280	80mm Dial Size 1 CD Display	V	Vacuum Switch	9999	Customized	CV	Customized	6	0.05%	P6	12V	I2	Dual Relay	M7	7/16					
		281	330° Rotated dial	W	Water Pump Switch					9	Customized	P9	Customized	CC	Customized	IM9	Customized					
		300	100mm Dial Size	A	APP																	
		380	80mm Dial Size LED Display																			
		560	Digital Remote-transmission																			
		675	Contact 60mm Dial Size																			
		825	Contact 80mm Dial Size																			
		925	Contact 90mm Dial Size																			
		PS	Pressure Switch	628	60mm Dial Size																	
				828	80mm Dial Size																	
928	100mm Dial Size																					
650	Switch Box with Plastic Shell																					
PC	Pressure Control	600	Switch Box with Full Metal Shell																			
		700	Mechanical																			
		600	60mm Dial Size																			
		800	80mm Dial Size																			
		900	100mm Dial Size																			

Remark: 1. This form is for whole Pressure Measurement and Pressure Control products, please read Product Data Sheet to get reference informations
2. If you may not find right information in this form, Please contact us to get future details

Shanghai XuYan Precision Technology Co., Ltd.

Address: No. 969, YunHan Road Pudong District Shanghai City China

Tel: +86 21 59241315

Email: sales@xvyanprecision.com

Website: www.xvyanprecision.com

Product Manager: Tyler Tou

Cell: +86 189 1797 0680

Email: tylertao@Xuyanpercision.com